



- Compact high density design with outstanding thermal performance.
- Operation to 600W; mounted to cooling plate at +85°C max.
- 12V, 24V and 48V Output
- -5%; +15% output adjustment.
- IP66 sealed “weatherproof” case.
- Overall dimensions (w/o connectors)
233.7 x 128.1 x 40.2 mm
9.20" x 5.04" x 1.58".
- Main DC output via studs.
- AC input and signals via separate circular connectors.
- High efficiency of 93.5% at 100% load.
- Droop characteristic current sharing.
- True zero load operation of Main (V1) output; no minimum load required.
- Universal AC input with active PFC; meets EN61000-3-2 Class A limits.
- MTBF in excess of 150K hours to MIL217F-3, Ground, Fixed, uncontrolled moderate, Temp; +40°C (target).
- RoHS3 Directive 2015/863 compliant
- Active inrush protection.
- IEC/EN/UL/CSA 60950-1; Edition 2.
- Migration path to IEC/EN/UL CSA62368-1.
- CE Marking to LVD 2014/35/EU.
- Extended standard warranty.

Product Overview

The 600-Watt IHC is a new series of AC-DC harsh environment industrial power supplies. The IHC series is aimed at ruggedized and special applications that require operation in extreme industrial environmental conditions such as, elevators, external road signs, electrolysis equipment, food processing and other outdoor applications.

Intended for ease of connection, the I/O and signal connectors are ruggedized and the product enclosure is sealed (IP66).

The assembly can be baseplate mounted to a thermal (cold) plate or natural convection, conduction cooled to allow operation over a wide -40°C to +85°C baseplate operating temperature range.

The output overload protection employs a constant current characteristic that allows use with high transient capacitive and inductive loads found in applications such as motor drives, incandescent lamps, LED drivers and battery charging sources.

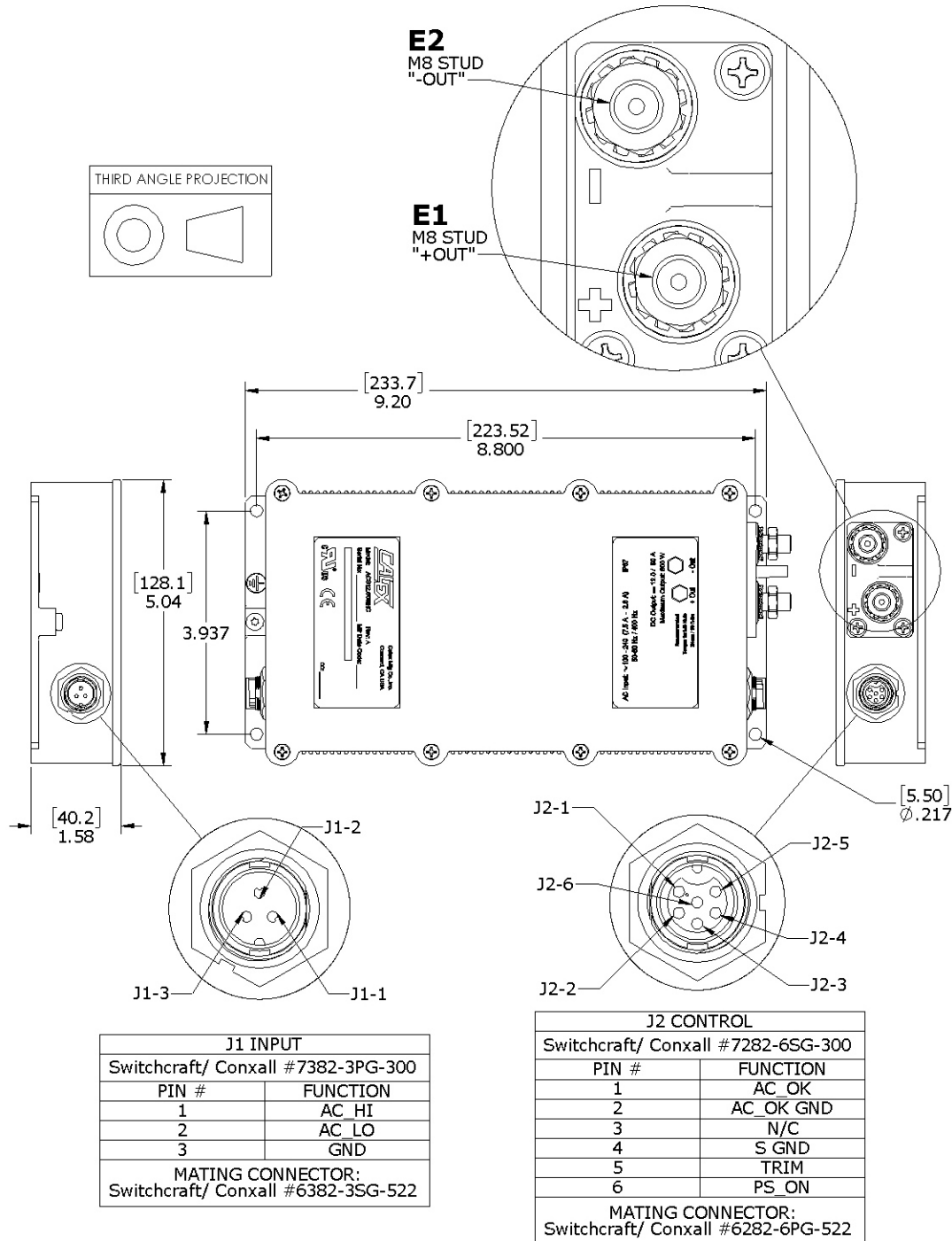
Model	Constant Voltage	Max Current (CV Mode)	Output Power (Tb = +85°C)
ACS12.600IHC	12V	50A	600W
ACS24.600IHC	24V	25A	600W
ACS48.600IHC	48V	12.5A	600W

600 WATT AC-DC IHC CONVERTERS

Preliminary



Mechanicals



600 WATT AC-DC IHC CONVERTERS

Preliminary



INPUT, SIGNAL AND MATING CONNECTORS				
Connector	PIN	Description	PSU Module	Mating Connector
Input Connector J1	1	AC_HI (Line)	Switchcraft 7382-3PG-300	Switchcraft 6382-3SG-522
	2	AC_LO (Neutral)		
	3	GND/PE (Ground/Protective Earth)		
Signal Connector J3	1	AC_OK	Switchcraft 7282-6SG-300	Switchcraft 6282-6PG-522
	2	AC_OK_GND		
	3	N/C – No User Connection		
	4	SGND		
	5	TRIM		
	6	PS_ON		

OUTPUT CONNECTIONS					
Connector	PIN#	Description	Recommended Cable Gauge (minimum)	Stud Terminal Thread	Connector Image
Studs	E1	+DC_OUT	6AWG/13.3mm ²	M8 X 1.25 PHOSPHOR BRONZE, TIN PLATED OUTPUT STUDS (HEX NUTS AND EXT TOOTH LOCKWASHERS SUPPLIED)	
	E2	+DC_OUT			