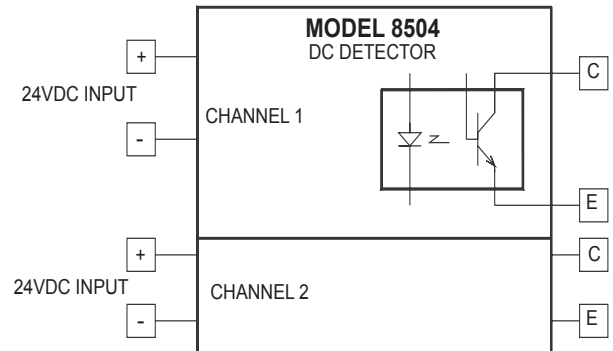
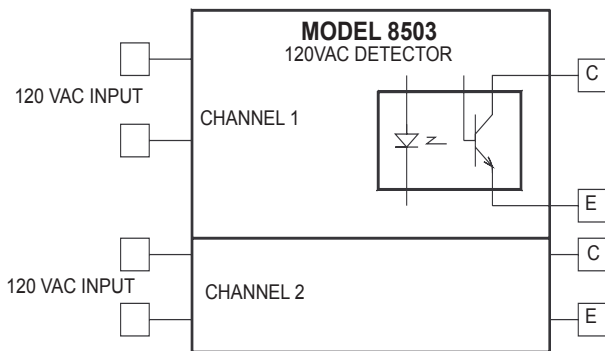




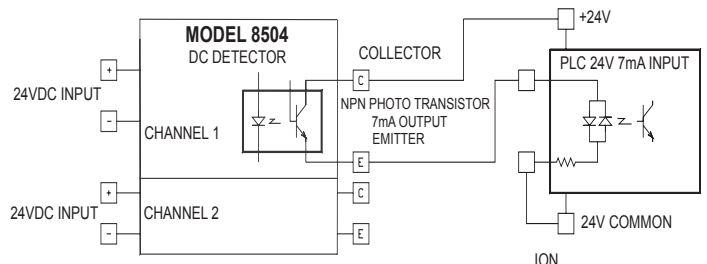
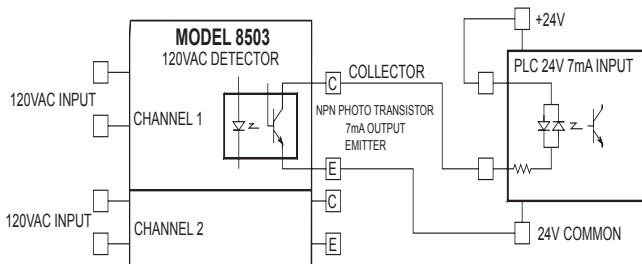
Model 8503 and 8504 Dual Channel PLC Interface modules are designed to interface 120 Volt AC line or 24VDC signals to the PLC 24 Volt, 7mA discrete inputs. The inputs are isolated from the outputs by an optocoupler and the two channels are independent. Power is supplied by the input signal and is a nominal 10mA per channel. The output transistor is fully floating allowing either source or sink connection to the PLC.

The modules are housed in a plastic case with a built in U-foot for mounting on standard DIN rails. The case dimensions, excluding the U-foot are 1.65" x 1.06"W x 3.78"L. Connections are made to screw clamp terminals that accept wire sizes 22 to 16.

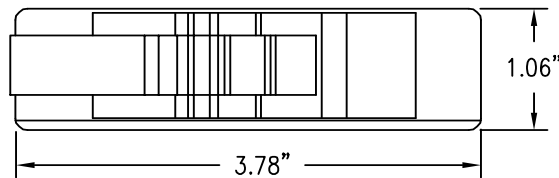
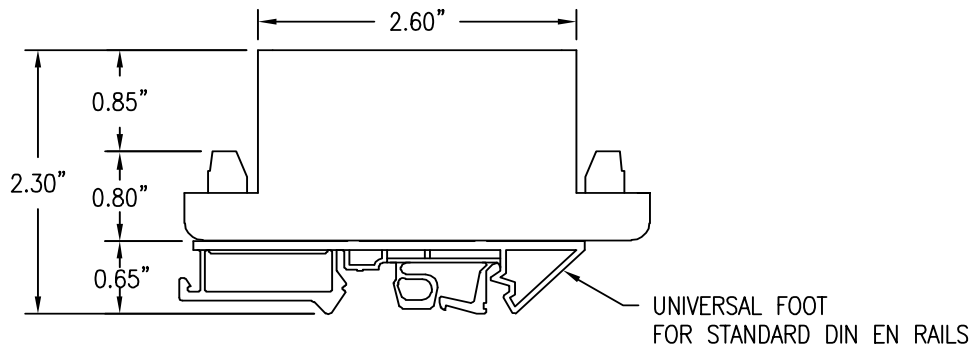


**MODEL 8503, 8504
SINK CONNECTION**

**MODEL 8503, 8504
SOURCE CONNECTION**



| Model | 8503 | 8504 |
|---|---|-------------------------------|
| Input Signal Voltage Current | 120 VAC 10 mA RMS | 24 VDC 10 mA |
| Output Current | 7 mA Minimum 12 mA Typical | 7 mA Minimum 12 mA Typical |
| Ripple | ±1.5 mA | N/A |
| Voltage Across Output | 30 VDC Maximum | 30 VDC Maximum |
| Isolation Voltage Input to Output Transistor | 700 Volts DC 5 pF | |
| Environment Operating Storage | 0°C to +55°C -40°C to 80°C | |
| Size (Not including universal foot) | 1.65"H x 1.06"W x 3.78"L (42 x 27 x 96mm) | |
| Weight | 3oz (85grams) | |
| Agency Approvals | UL 508, C22.2 No. 14-M91 | |



| MODEL 8503 | |
|------------|---------------|
| PIN | FUNCTION |
| 1 | - INPUT (CH1) |
| 2 | + INPUT (CH1) |
| 3 | - INPUT (CH2) |
| 4 | +INPUT (CH2) |
| 5 | COL (CH2) |
| 6 | EMIT (CH2) |
| 7 | COL (CH1) |
| 8 | EMIT (CH1) |

| MODEL 8504 | |
|------------|---------------|
| PIN | FUNCTION |
| 1 | - INPUT (CH1) |
| 2 | + INPUT (CH1) |
| 3 | - INPUT (CH2) |
| 4 | +INPUT (CH2) |
| 5 | COL (CH2) |
| 6 | EMIT (CH2) |
| 7 | COL (CH1) |
| 8 | EMIT (CH1) |