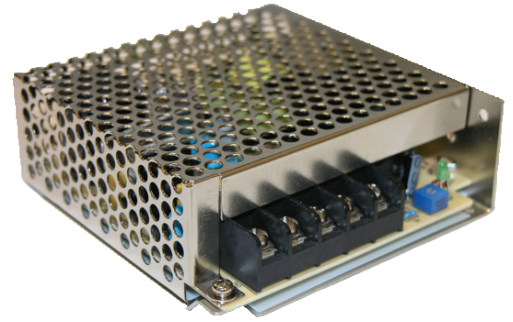




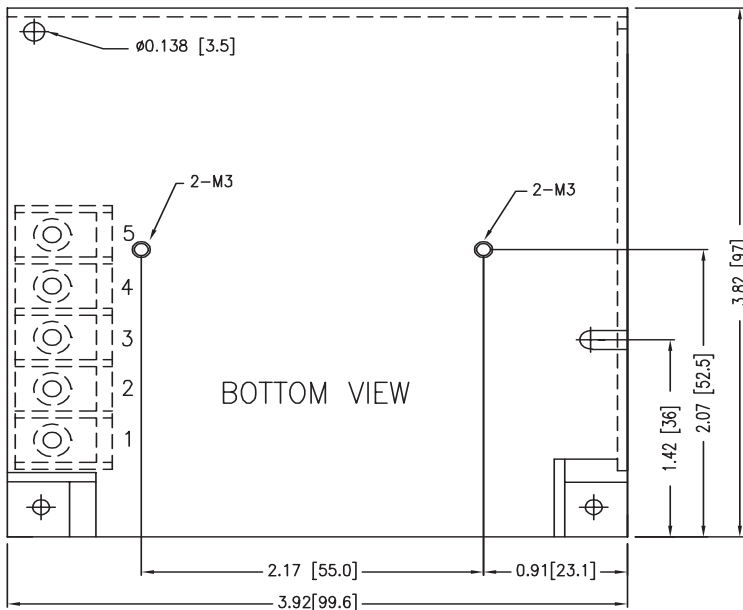
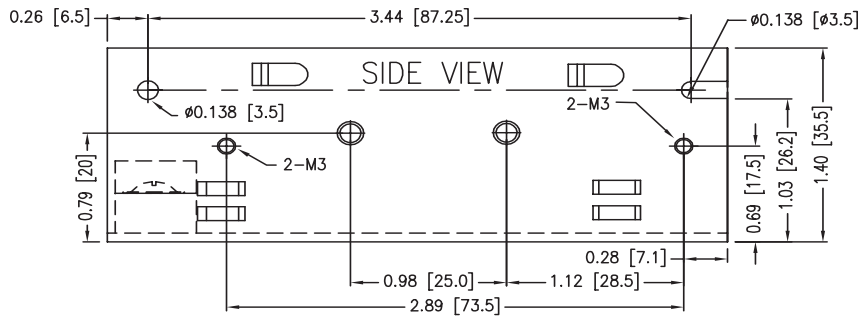
50 Watt AC/DC Single Output Switching Power Supply

- Efficiency up to 86%
- Universal Input Range
- Single Output
- Short Circuit Protection
- Overload Protection
- Over Voltage Protection
- MTBF > 230,000 Hours
- UL60950 Approved



Model Number	Voltage Output (VDC)	Current				Voltage Adjustment Range (VDC)	Load Regulation	Efficiency (%)
		Input		Output				
		115 VAC Full Load	230 VAC Full Load	Min (A)	Max (A)			
CM50JS5	5	1.3	0.8	0	8	4.75 - 5.5	2%	78
CM50JS12	12	1.3	0.8	0	4.2	11.4 - 13.2	1%	81
CM50JS24	24	1.3	0.8	0	2.2	21.6 - 26.4	1%	84
CM50JS48	48	1.3	0.8	0	1.1	43.2 - 52.8	1%	86

Dimensions are inches (mm) unless noted



Termination	
1	AC/L
2	AC/N
3	CASE GROUND
4	-V _{OUT}
5	+V _{OUT}

See Model Selection Table for Model Specific Parameters

Input Parameters	Min	Typ	Max	Units
Input Voltage Range Designed for optimal performance in the nominal input range of 110 - 240VAC. See Derating Curve	88	230	264	VAC
Input Frequency	47	60	63	Hz
Inrush Current 230 VAC Full Load Cold Start			30	A
Input Fuse	T5A/250VAC			
Output Parameters	Min	Typ	Max	Units
Ripple & Noise (20MHz) 5V 12V 24V 48V			80 120 120 200	mVP-P
Set-up Time (230 VAC Full Load)		500		ms
Rise Time (230 VAC Full Load)		80		ms
Hold Time (230 VAC Full Load)		20		ms
Over Voltage Protection	115		145	% of Vo
Over Load Protection	120		150	% of Vo
Short Circuit Protection	Automatic Recovery			
General Specifications	Min	Typ	Max	Units
Isolation Voltage, 60 seconds	3000			VAC
Isolation Resistance 500VDC	100			Mohms
Operating Temperature (Ambient)	-20	25	+70	°C
Storage Temperature	-40	25	+85	°C
Humidity			90	%
MTBF (MIL-HDBK-217F)	230			K Hours
Cooling	Free-Air Convection			
Case Size	3.92 x 3.82 x 1.40 inches 99 x 97 x 36 mm			
Weight	410g			
Agency Approval	UL60950 Approved			

Notes:

- Specifications typical at Ta=+25°C, 230VAC, 60Hz input voltage, rated output current unless otherwise noted.
- Ripple & Noise measured with a 0.1 µF ceramic and 22 µF electrolytic in parallel with output, 20MHz bandwidth.
- Long term short circuit operation may cause damage to the unit.
- Water washability - ConTech Mounted Power Supplies are not sealed and should not be subjected to any type of wash process.
- See ConTech website for Definition of Terms, Application Notes, and Test Setups and Parameters. www.ConTech-us.com/appnotes.html.
- Specifications subject to change without notice.
- See ConTech website www.ConTech-us.com/pdf/rohs.pdf for RoHS Statement.

Derating Curves

