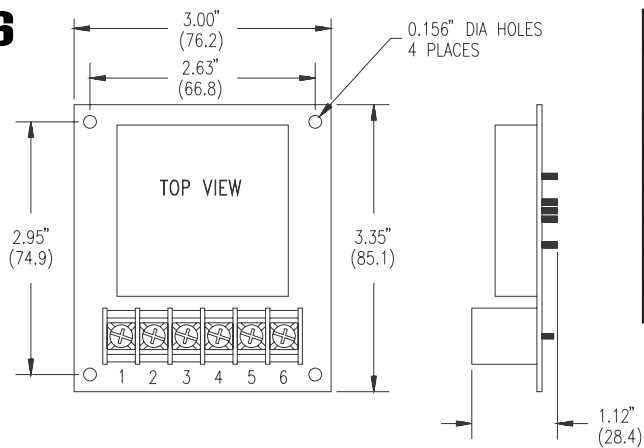


Single Output DC/DC Converter Chassis Mounting Kits

Single Output DC/DC Converter Mounting Kit Reference Chart	
MS6, MS8, MS15	MS8
6 Watt 6 Watt EC 6 Watt LV 10 Watt NT	12 Watt LV 15 Watt TC 15 Watt BR 20 Watt NT 30 Watt NT 30 Watt MH/MHW

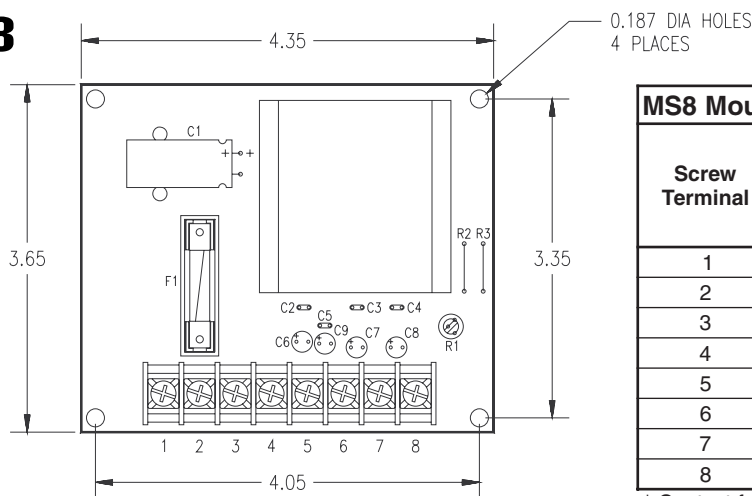
MS6



MS6 Mounting Kit

Screw Terminal	6 Watt	6 Watt EC	6 Watt LV	10 Watt NT
	Function			
1	+ OUTPUT			
2	N/C			
3	CMN			
4	N/C			
5	+ INPUT			
6	- INPUT			

MS8



MS8 Mounting Kit

Screw Terminal	6 Watt 6 Watt EC 6 Watt LV 10 Watt NT 15 Watt BR	12 Watt LV 15 Watt TC 20 Watt NT 30 Watt NT 30 Watt MH/MHW*
	1	N/C
2	+INPUT	+INPUT
3	-INPUT	-INPUT
4	N/C	N/C
5	+OUTPUT	N/C
6	N/C	+OUTPUT
7	-OUTPUT	-OUTPUT
8	N/C	TRIM

* Contact factory for mounting kit for 9 - 36Vin MHW.

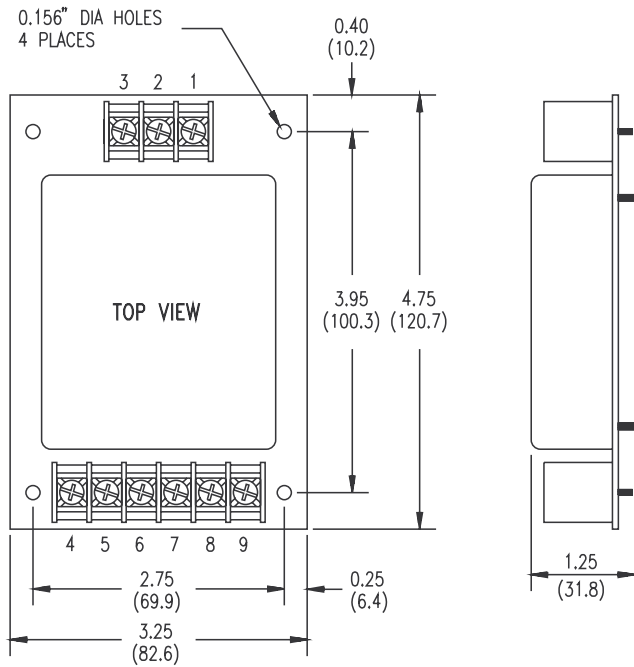
MS8 Mounting Kit Models	
Model	Description
MS8-S1.5	Single with 1.5 Amp Fuse
MS8-S4	Single with 4 Amp Fuse
MS8-C6	Single with 6 Amp Fuse
MS8-CS1.5	Single with 1.5 Amp Fuse and 180 μ F, 100V Input Cap
MS8-CS4	Single with 4 Amp Fuse and 180 μ F, 100V Input Cap
MS8-CS6	Single with 6 Amp Fuse and 180 μ F, 100V Input Cap

*MS8-S6 & MS8-CS6 are for 9 - 36 Vin MHW

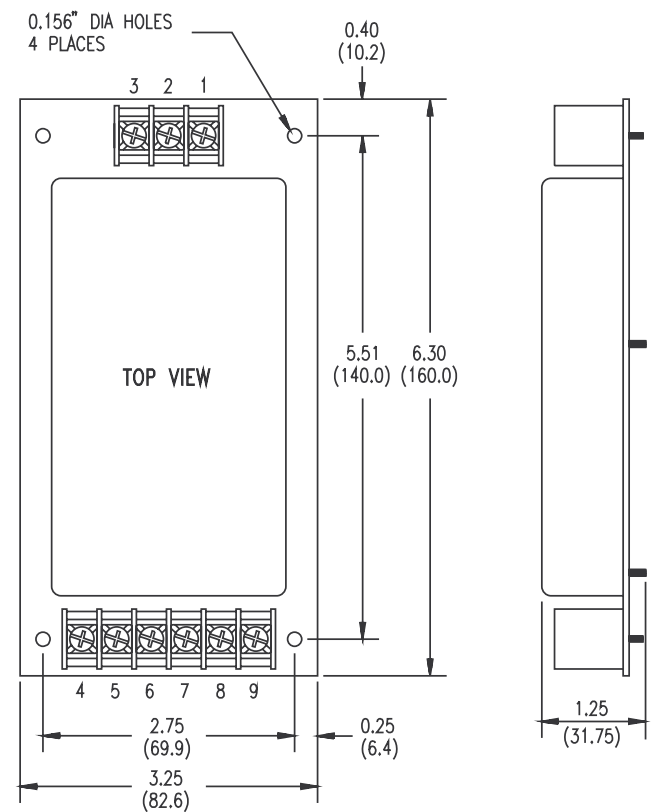
Single Output DC/DC Converter Chassis Mounting Kits

Single Output DC/DC Converter Mounting Kit Reference Chart	
MS9	MS10
15 Watt XC 45 Watt XT 45 Watt UW	30 Watt XW

MS9



MS10



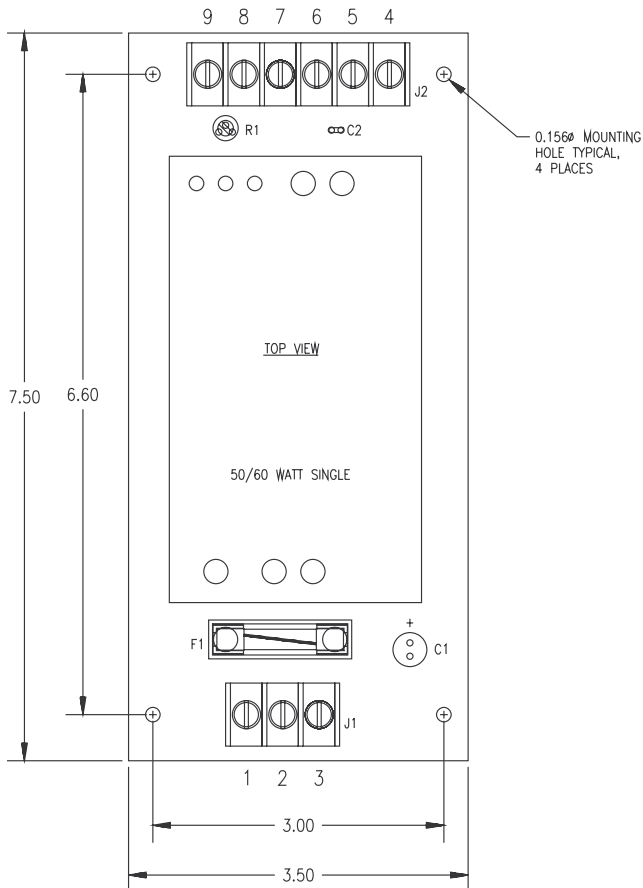
MS9 Mounting Kit			
15 Watt Single XC		45 Watt Single XT	
Screw	Pin Number	Screw	Pin Number
1	8	6	N/C
2	1	7	5
3	2	8	4
4	7	9	3
5	6		

MS10 Mounting Kit			
30 Watt Single XW			
Screw	Pin Number	Screw	Pin Number
1	8	6	N/C
2	1	7	5
3	2	8	4
4	7	9	3
5	6		

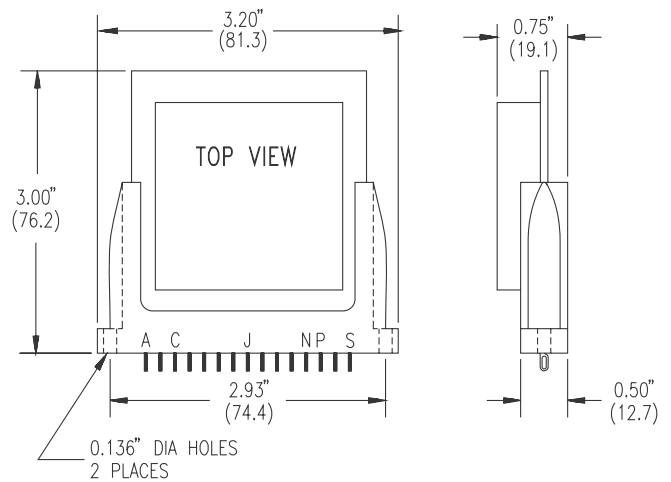
Single Output DC/DC Converter Chassis Mounting Kits

Single Output DC/DC Converter Mounting Kit Reference Chart	
MS6, MS8, MS15	MS13
6 Watt 6 Watt EC 6 Watt LV 10 Watt NT	60 Watt XW

MS13



MS15

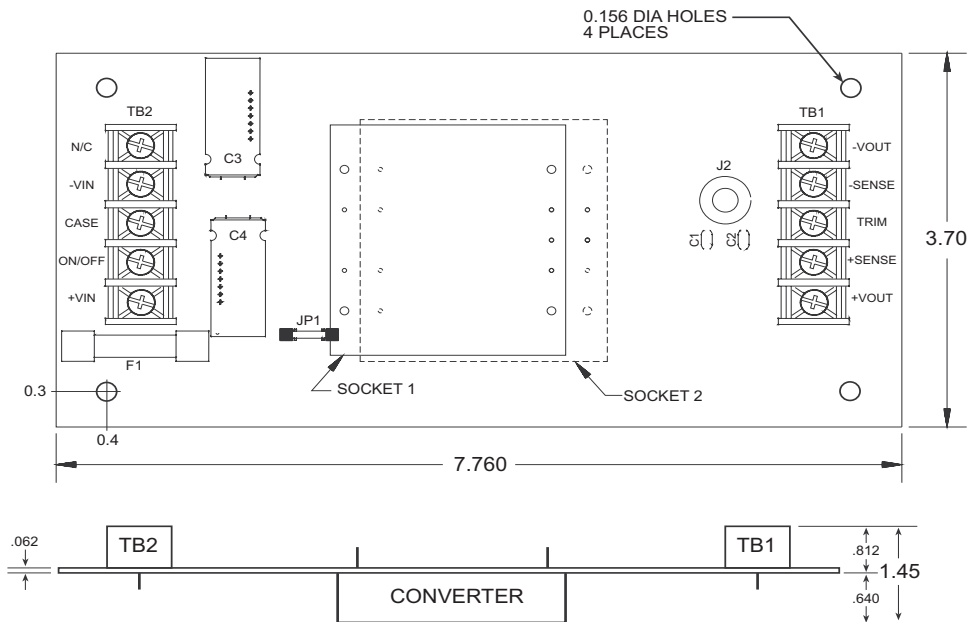


MS13 Mounting Kit			
60 Watt XW			
Screw	Function	Screw	Function
1	ON/OFF	6	+OUTPUT
2	+INPUT	7	+SENSE
3	-INPUT	8	N/C
4	-SENSE	9	TRIM
5	-OUTPUT		

MS15 Mounting Kit			
Pin	6 Watt	6 Watt EC	6 Watt LV
A	+ INPUT		
C	- INPUT		
J	N/C		
N	KEY		
P	+ OUTPUT		
S	OUTPUT CMN		

Single Output DC/DC Converter Chassis Mounting Kits

MS21



MS21 Mounting Kit			
75 Watt Single HE		100 Watt Single HEW	
150 Watt Single HEW			
Screw Terminal	Function	Screw Terminal	Function
1	+ VIN	6	- V OUT
2	CASE	7	- SENSE
3	ON/OFF	8	TRIM
4	- VIN	9	+ SENSE
5	N/C	10	+ V OUT

A fuse is not provided with this mounting kit. See Callex Application Note 9 for selecting the proper fuse.