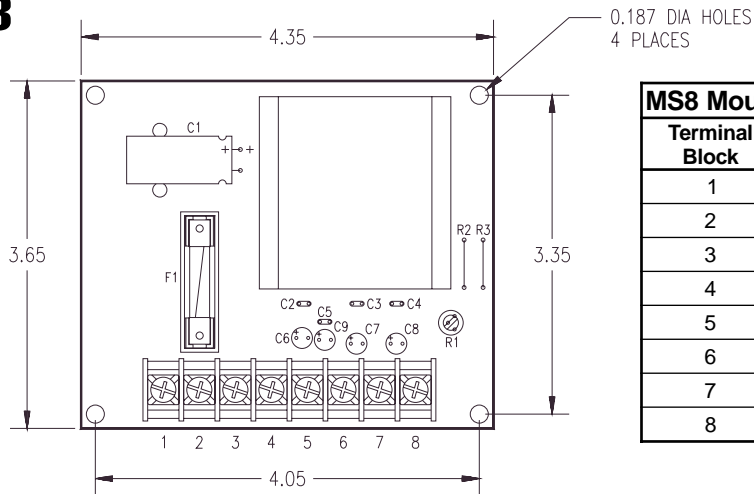


Triple Output DC/DC Converter Chassis Mounting Kits

| Triple Output DC/DC Converter Mounting Kit Reference Chart | |
|--|-----------------------------|
| MS8 | MS9 |
| 20 Watt HP | 15 Watt SW 27-30 Watt LE |

MS8



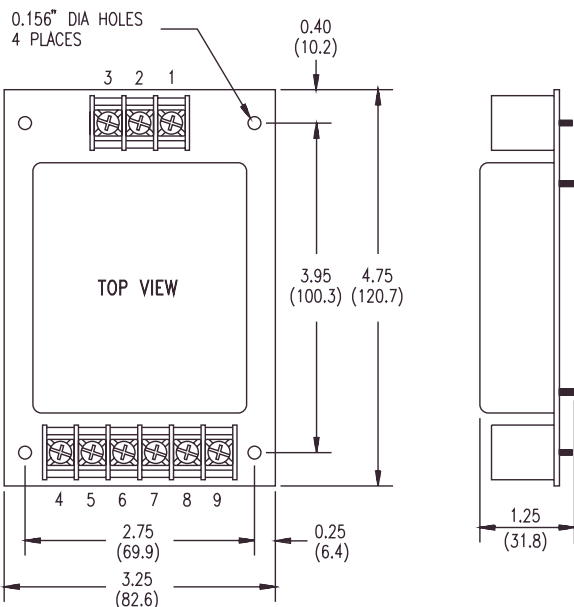
MS8 Mounting Kit

| Terminal Block | 20 Watt HP |
|----------------|---------------|
| 1 | ON/OFF |
| 2 | + INPUT |
| 3 | - INPUT |
| 4 | N/C |
| 5 | +12/15 OUTPUT |
| 6 | +5 OUTPUT |
| 7 | CMN |
| 8 | -12/15 OUTPUT |

MS8 Mounting Kit Models

| Model | Description |
|-----------|--|
| MS8-T1.5 | Triple with 1.5 Amp Fuse |
| MS8-T4 | Triple with 4 Amp Fuse |
| MS8-CT1.5 | Triple with 1.5 Amp Fuse and 180 μ F, 100V Input Cap |
| MS8-CT4 | Triple with 4 Amp Fuse and 180 μ F, 100V Input Cap |

MS9



MS9 Mounting Kit

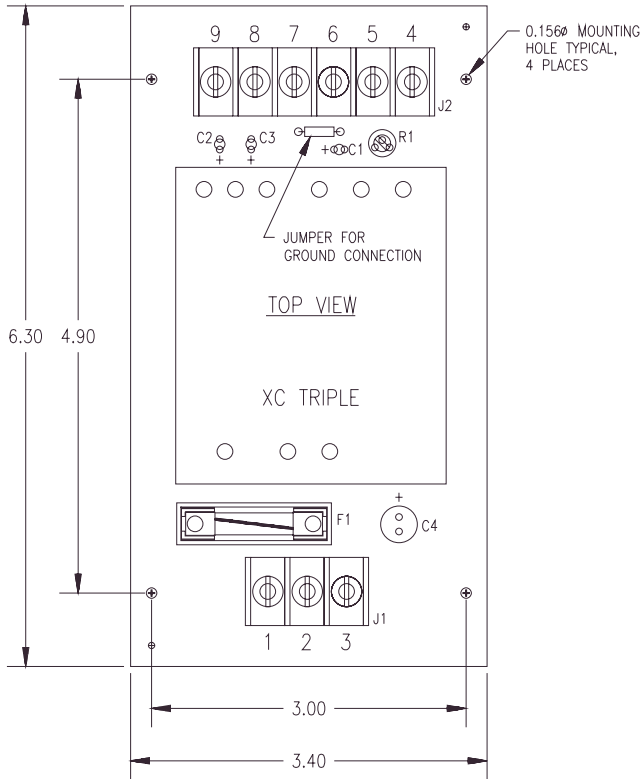
| Screw | 15 Watt SW | | 27-30 Watt LE | |
|-------|------------|-------|---------------|-------|
| | Pin Number | Screw | Pin Number | Screw |
| 1 | 8 | 6 | N/C | |
| 2 | 1 | 7 | 5 | |
| 3 | 2 | 8 | 4 | |
| 4 | 7 | 9 | 3 | |
| 5 | 6 | | | |

Triple Output DC/DC Converter Chassis Mounting Kits

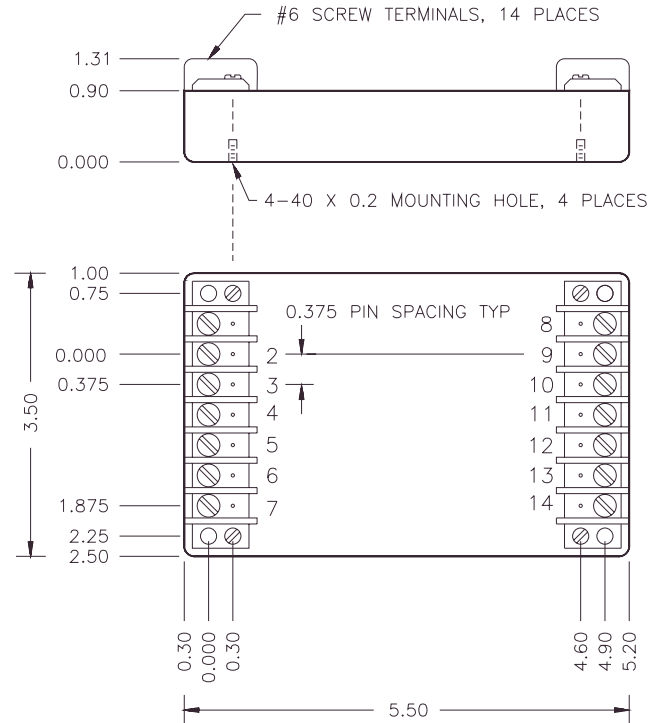
Triple Output DC/DC Converter Mounting Kit Reference Chart

| MS12 | CM |
|------------|-----------|
| 30 Watt XC | 55 Watt K |

MS12



CM



| MS12 Mounting Kit | | | |
|-------------------|----------|-------|----------|
| 30 Watt XC | | | |
| Screw | Function | Screw | Function |
| 1 | ON/OFF | 6 | +5 |
| 2 | + INPUT | 7 | -12/15 |
| 3 | - INPUT | 8 | ± CMN |
| 4 | +5 TRIM | 9 | +12/15 |
| 5 | +5 CMN | | |

| CM (Chassis Mount) | | | |
|--------------------|----------|-------|---------------|
| 55 Watt K | | | |
| Screw | Function | Screw | Function |
| 1 | N/C | 8 | +5V CMN SENSE |
| 2 | -INPUT | 9 | +5V CMN |
| 3 | -INPUT | 10 | +5V OUTPUT |
| 4 | +INPUT | 11 | +5V SENSE |
| 5 | +INPUT | 12 | -DUAL OUTPUT |
| 6 | ON/OFF | 13 | DUAL CMN |
| 7 | CASE | 14 | +DUAL OUTPUT |