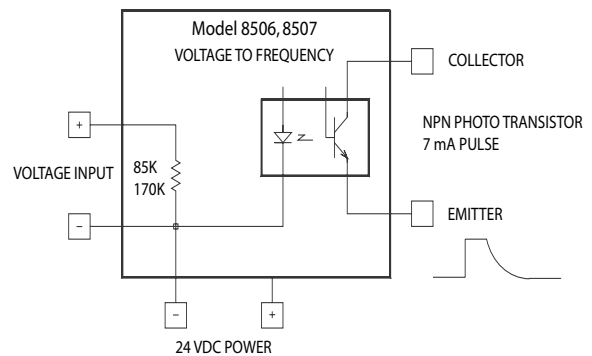
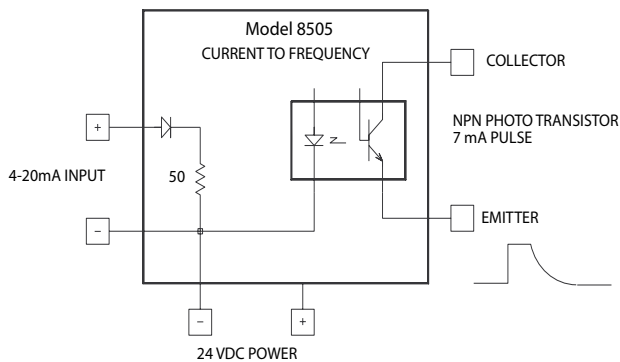
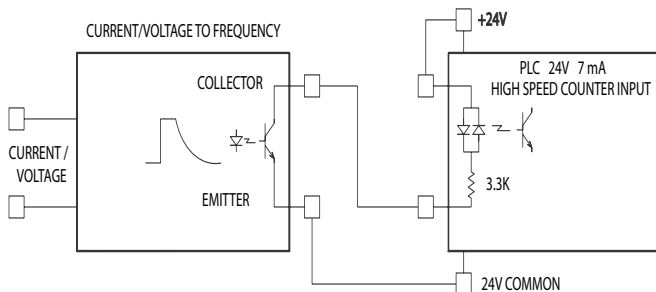




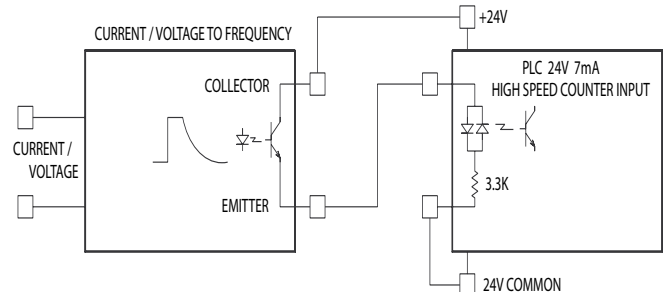
Model 8505, 8506, 8507 analog to frequency converters offer a cost effective solution for a single or multiple channel PLC I/O system. They are designed to operate into common 24 volt, 7mA PLC discrete counter inputs. The 4 to 20 mA input Model 8505 provides 1 kHz to 5 kHz output frequency for a 4 μ A per Hertz resolution. The Model 8506 voltage input is scaled for 1 mV per Hertz to 5 kHz for a 5 VDC input. The Model 8507 voltage input is scaled for 2 mV per Hertz to 5 kHz for a 10 VDC input. The output for each module is linear to 0.01% with a very high accuracy of better than 0.1%. The output is an isolated floating optocoupler transistor which provides DC isolation from the input and DC power. Connections are made easily with accessible screw clamp terminal blocks. The output can be configured to a Sink or Source connection.



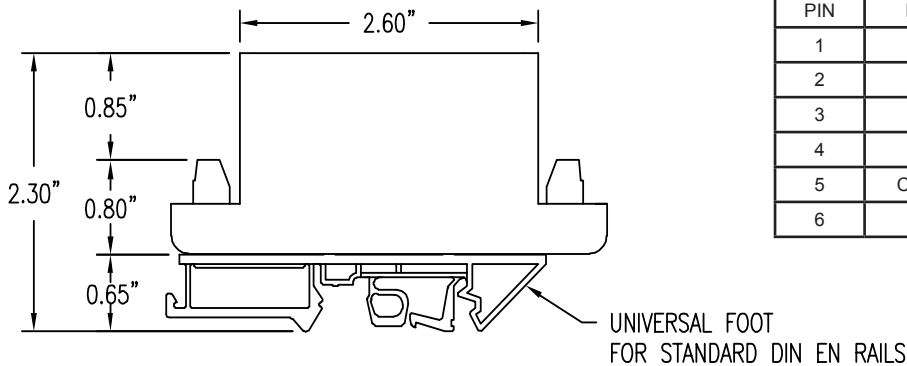
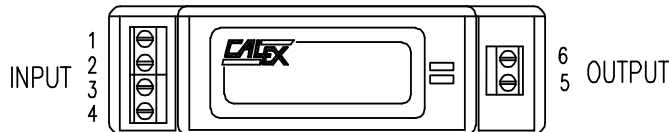
MODEL 8505, 8506, 8507 SINK CONNECTION



MODEL 8505, 8506, 8507 SOURCE CONNECTION



Model	8505	8506	8507
Input	0 to 20 mA	0 to 5 Volts	0 to 10 Volts
Output	0 to 5000 Hz	0 to 5000 Hz	0 to 5000 Hz
Resolution	4 μ A/Hz 12 Bits	1 mV/Hz 12 Bits	2 mV/Hz 12 Bits
Input Resistance	50 Ohms	85K Ohms	170K Ohms
Linearity From 1% to Full Scale	$\pm 0.01\%$ Typical $\pm 0.05\%$ Maximum	$\pm 0.01\%$ Typical $\pm 0.05\%$ Maximum	$\pm 0.01\%$ Typical $\pm 0.05\%$ Maximum
Accuracy	$\pm 0.1\%$ Maximum	$\pm 0.1\%$ Maximum	$\pm 0.1\%$ Maximum
Temperature Coefficient 0° to 55°C	$\pm 0.003\%/^{\circ}\text{C}$ Typical $\pm 0.01\%/^{\circ}\text{C}$ Maximum	$\pm 0.003\%/^{\circ}\text{C}$ Typical $\pm 0.01\%/^{\circ}\text{C}$ Maximum	$\pm 0.003\%/^{\circ}\text{C}$ Typical $\pm 0.01\%/^{\circ}\text{C}$ Maximum
Output Source Transistor - Floating Optocoupler Pulse Width Output Current	50 μ S 7mA Minimum Current	50 μ S 7mA Minimum Current	50 μ S 7mA Minimum Current
Response Time	2 Cycles of Final Frequency		
Isolation Input to Output Transistor	700 Volts DC 5 pF		
Power Requirements Voltage Current	15 to 26 Volts DC 15 mA Typical Power Supply Common Connected to Signal Input Common		
Environment Operating Storage	0°C to +55°C -40°C to +80°C		
Size (Not including universal foot)	1.65"H x 1.06"W x 3.78"L (42 x 27 x 96mm)		
Weight	3 oz (85 grams)		
Agency Approvals	UL508, C22.2 No 14-M91		



	MODEL 8505	MODEL 8506	MODEL 8507
PIN	FUNCTION	FUNCTION	FUNCTION
1	+ INPUT	+ INPUT	+ INPUT
2	-INPUT	-INPUT	-INPUT
3	COM	COM	COM
4	+24V	+24V	+24V
5	COLLECTOR	COLLECTOR	COLLECTOR
6	EMITTER	EMITTER	EMITTER

