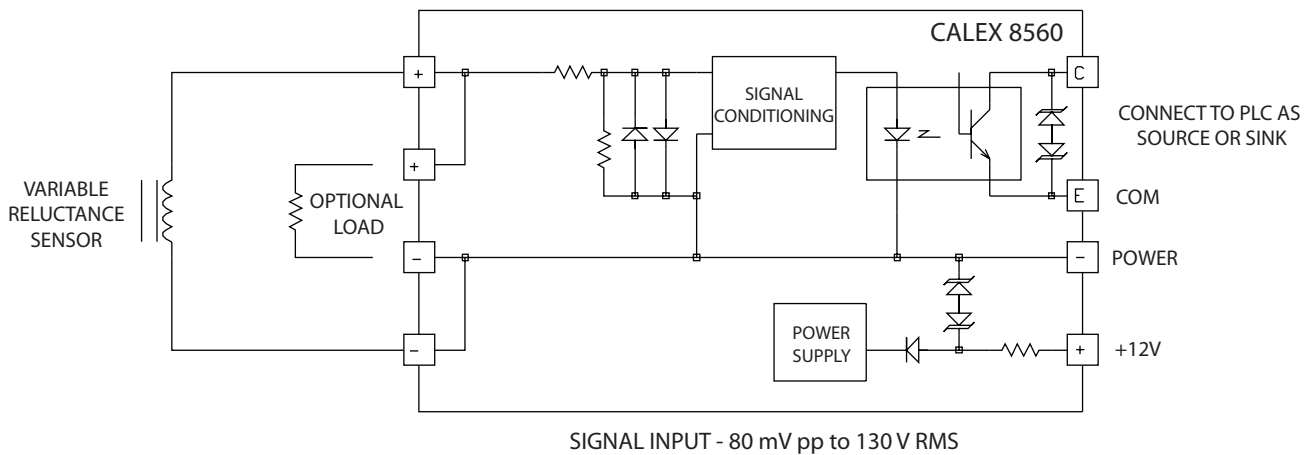




Model 8560 Applications with Micro PLCs:

- Engine Speed Monitoring
- Engine Start / Stop
- Overspeed Shutdown

**MODEL 8560
MAGNETIC PICKUP TO PLC HIGH SPEED COUNTER**



Model 8560

Model	8560
Input Signal	Variable Reluctance Sensor
30 Hz to 2 kHz	80 mV Peak to Peak Minimum
2 kHz to 5 kHz	100 mV Peak to Peak Minimum
Maximum RMS Input	130 VAC
Minimum Pulse Width	100 microseconds
Input Resistance 0 to 1 Volt Peak to Peak	100 K Ohms
Output	Floating Optocoupler NPN Transistor 12 mA Minimum 100 microseconds Nominal
Power Requirements	9-30 VDC @ 15 mA
Environment Operating Storage	0°C to +55°C -40°C to +80°C
Size (Not including universal foot)	1.65"H x 1.06"W x 3.78"L (42 x 27 x 96 mm)
Weight	5 oz (142 grams)
Agency Approvals	UL508, C22.2 No 14-M91



MODEL 8560	
PIN	FUNCTION
1	+ INPUT
2	+ INPUT
3	- INPUT
4	- INPUT
5	+ VDC
6	COM
7	EMITTER
8	COLLECTOR

