

Models 940 and 945 DC Transmitters

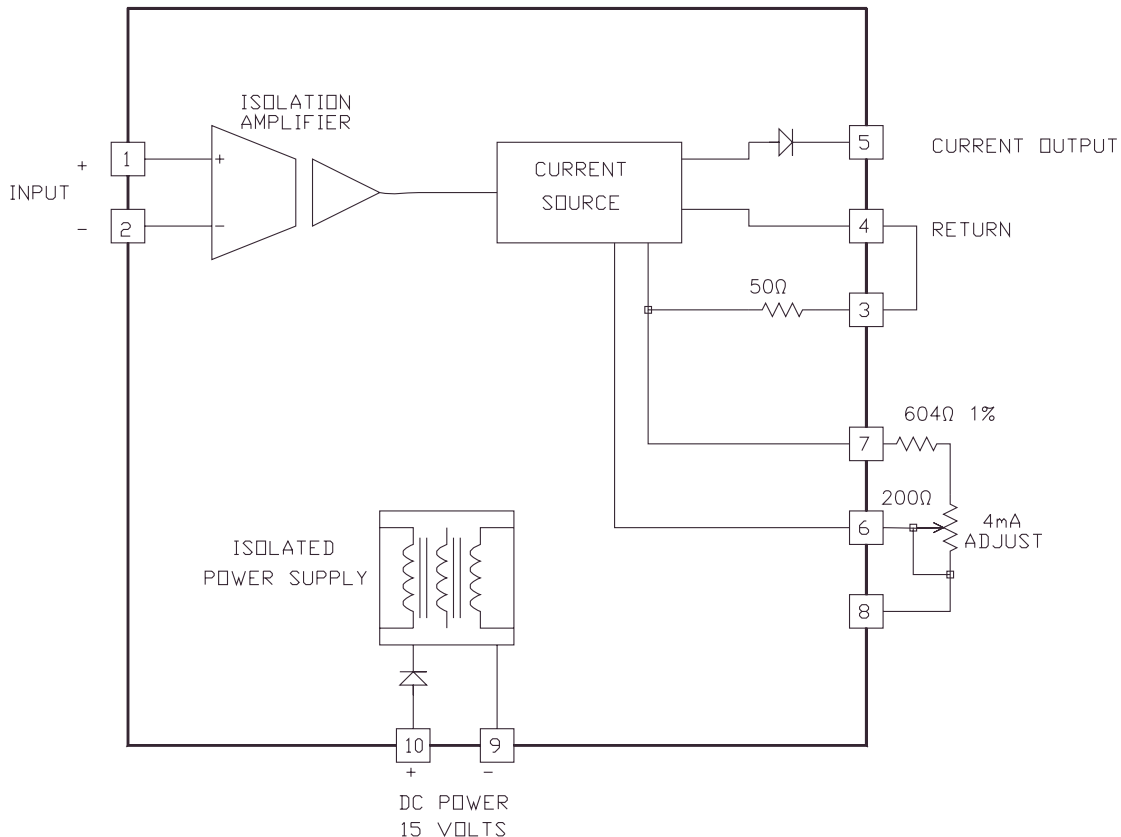
Features

- 4 to 20mA Output
- 0 to +10V Input - Model 940
- 0 to 50 mV Input - Model 945
- 700 Volts DC Isolation
- PC Board Mount Modular Design for OEM Applications
- Convenient Mounting Kit Available for End User Applications
- Powered by 14 to 16 Volts
- 24 VDC Operation Available

Description

The CALEX Model 940 and 945 are fully DC isolated voltage to current transmitters. They are ideal for eliminating ground loops and common mode problems in data acquisition and process control systems. The 20 Volt maximum output compliance voltage allows a loop resistance of up to 1000 ohms. The isolation input to output is 700 Volts DC. The input and output are also isolated from the unregulated +14 to +16 VDC power source.

Model 940 and 945 Block Diagram



Models 940 and 945 DC Transmitters

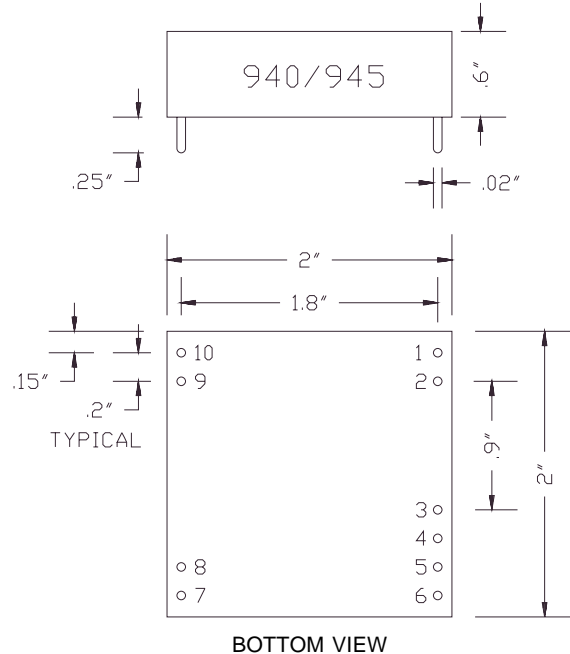
Specifications

Input	940	945
Voltage	0 to +10 Volts	0 to 50 mV
Resistance	10 megohm minimum	
Output		
Current	4 to 20 mA	
Load Resistance	0 to 1000 ohm	
Compliance	20 Volts maximum	
Frequency Response	400 Hz @ 3 dB	
Rise Time	0.9 ms	
Settling Time to 0.1%	2.5 ms	
Noise	1 kHz bw 20 MHz bw	
	1 µA P-P 50 µA P-P	
Power Supply Sensitivity	Zero Span	
	5 µA/Volt 0.005%/Volt	
Accuracy @ 25°C	0.1% of Full Scale	
Linearity	0.05% of Full Scale	
Temperature Coefficient	0 to 55°C	
	Zero Span	
	0.0035%/°C of Full Scale 0.0035%/°C of Full Scale	
Isolation - Input to Output		
or Power Supply	700 Volts DC	
Capacitance	25 pF	
Power Requirements		
DC Voltage	14 to 16 Volts DC	
Current	125 mA	
Zero Set		
External Cermet Potentiometer Required to set 4mA Zero current. External Pot may be used to set output current 0 to 20mA.		
Environment		
Package	Encapsulated Plastic Module	
Size (inches)	2" x 2" x 0.6"	
Weight	2.5 oz.	

Operation

For 4 to 20 mA operation, a 200 ohm external cermet potentiometer is required to set 4 mA Zero Current. Connect the wiper to pins 6 and 8. Connect one end terminal to pin 7 with a 604 ohm 1% resistor in series. Connect the other end terminal to pin 8. Tie pin 4 to pin 3. Reference Model 940 Block Diagram.

Mechanical Specifications



Pin Assignments	
1	+INPUT
2	-INPUT
3	RETURN
4	RETURN
5	CURRENT OUTPUT
6	Reference Model 940/945 Block Diagram
7	Reference Model 940/945 Block Diagram
8	Reference Model 940/945 Block Diagram
9	-DC POWER
10	+DC POWER

Models 940 and 945 DC Transmitters

Mounting Kit

The MK940 mounting kit is an optional printed circuit board that provides the necessary potentiometers and a connector for a complete turnkey system.

The 940/MK940, when ordered as a combination, is shipped from the factory configured as a 0 to +10 Volt input, 4 to 20mA output, isolated transmitter. The 945/MK940, when ordered as a combination, is shipped from the factory configured as a 0 to 50 mV input, 4 to 20 mA output, isolated transmitter. Note

in the schematic, Figure 1, that C1, R1, R2, R3, and R5 are included on the board. The other designated components are user supplied for other applications. Also note that R8 through R11 are not connected to the rest of the circuit. For 24 VDC operation, add a "-24" to the MK940, i.e. 945/MK940-24

Figure 2 shows the outline of the MK940 card and the lettered pin assignments. The card includes a Model 015 connector with edge guides and has eyelets for soldering wires. The components described as jumpers are wire connections although they have a ceramic body the size of a 1/4W resistor.

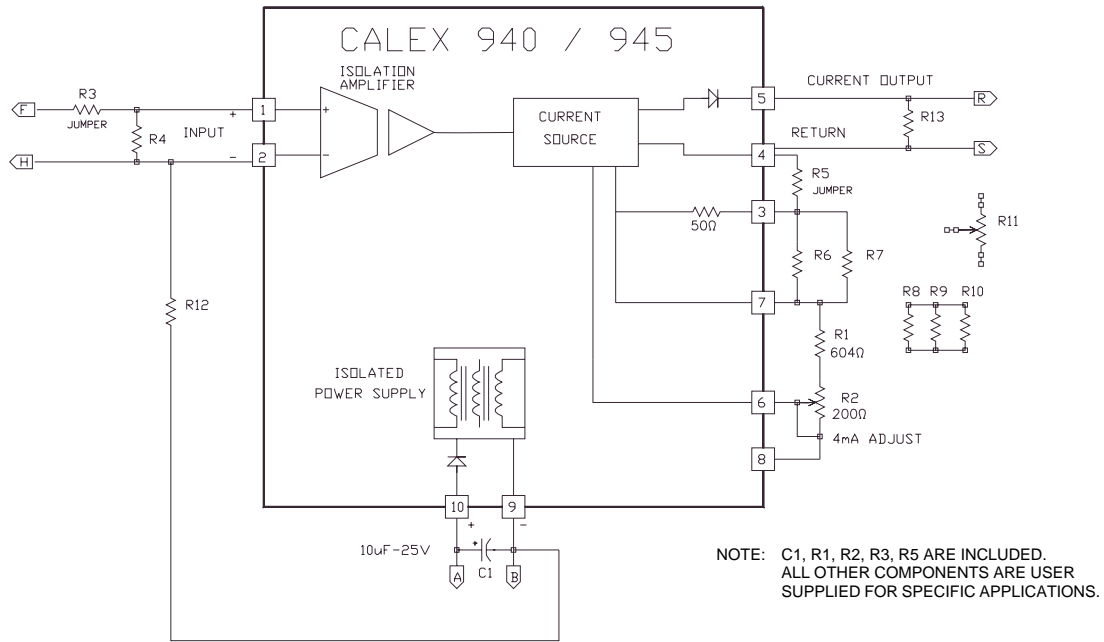


FIGURE 1. MK940 Schematic

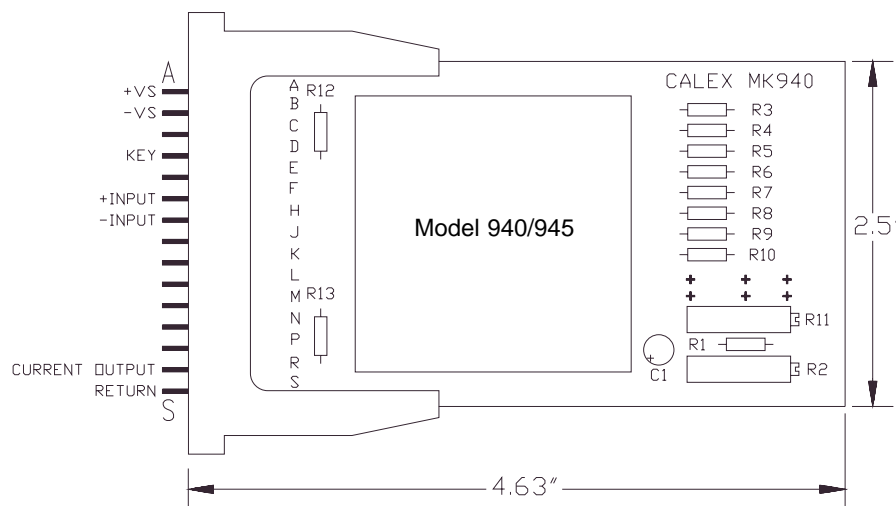


FIGURE 2. MK940 Card

Models 940 and 945 DC Transmitters

Applications

The 940/MK940 may be configured for 4 to 20mA output, as a constant current source, as a 0 to 1mA current source, 0 to 5V output, voltage input and 1 to 5V output, or an isolated voltage input and 4 to 20V output with a single pole 10Hz input filter. Figures 3 through 8 illustrate these configurations with the Model 940/945 and MK940 mounting kit. The R-numbers

refer to locations labeled on the MK940. All fixed value resistors should be metal film 1% type. Where a potentiometer is shown, use a multiturn trim pot with a CERMET resistance element. The hole pattern is for industry standard potentiometers such as Bourns "3006Y", Spectrol "43", and Beckman "89" series.

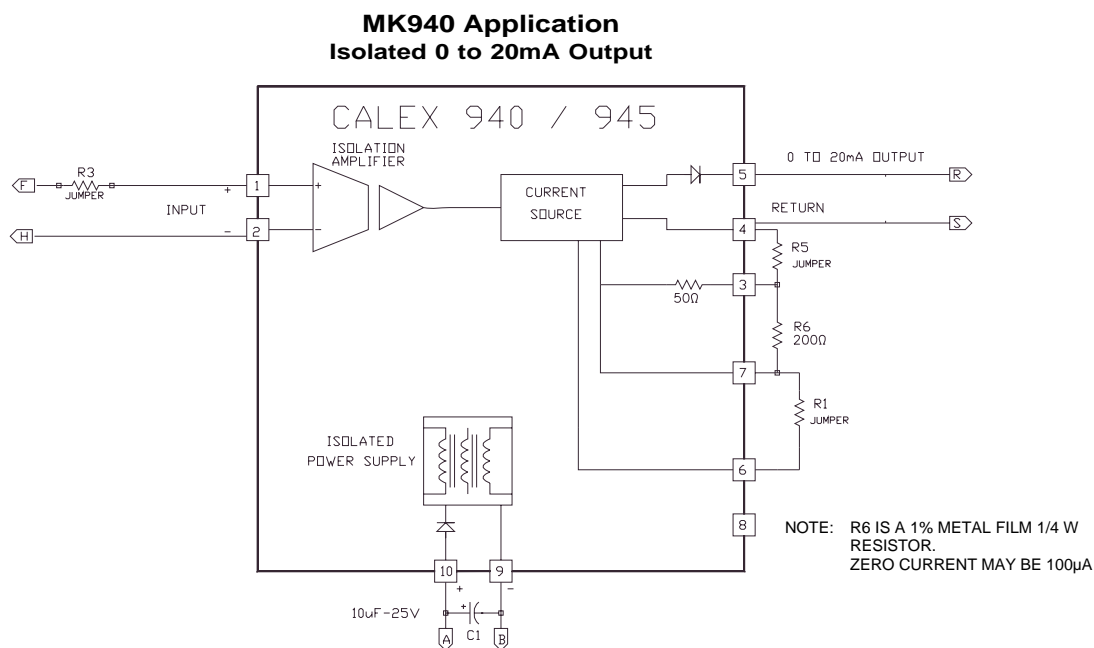


FIGURE 3.

Shows an isolated 0 to 20mA current loop. In this application the ZERO pot is not used and is replaced by a wire jumper. R6 parallels an internal 50 ohm resistor to change the scale factor. The zero current may be from 10nA to 100µA. Zero current must be checked with a short between pins F and H, or 0 Volts input. Do not leave the input open.

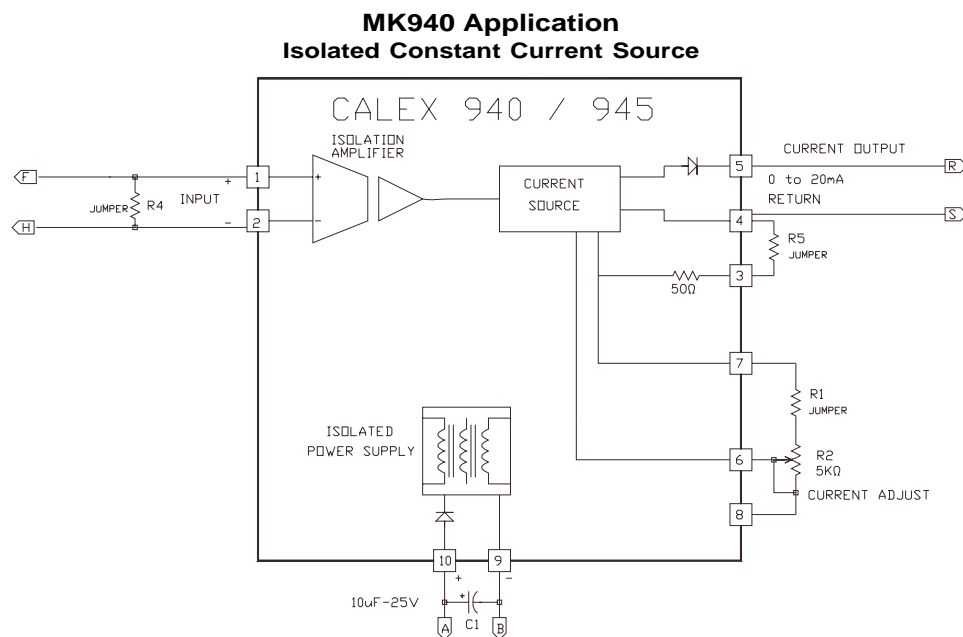


FIGURE 4.

Is a potentiometer adjust 0 to 20mA constant current source which is isolated from the power supply. The jumper in place of R4 ensures that the input is zero volts. Do not apply any control voltage to the input. The output will drive zero to 1000 ohms with a 15 volt power supply.

Models 940 and 945 DC Transmitters

MK940 Application Isolated Voltage In - 1 to 5 Volts Out

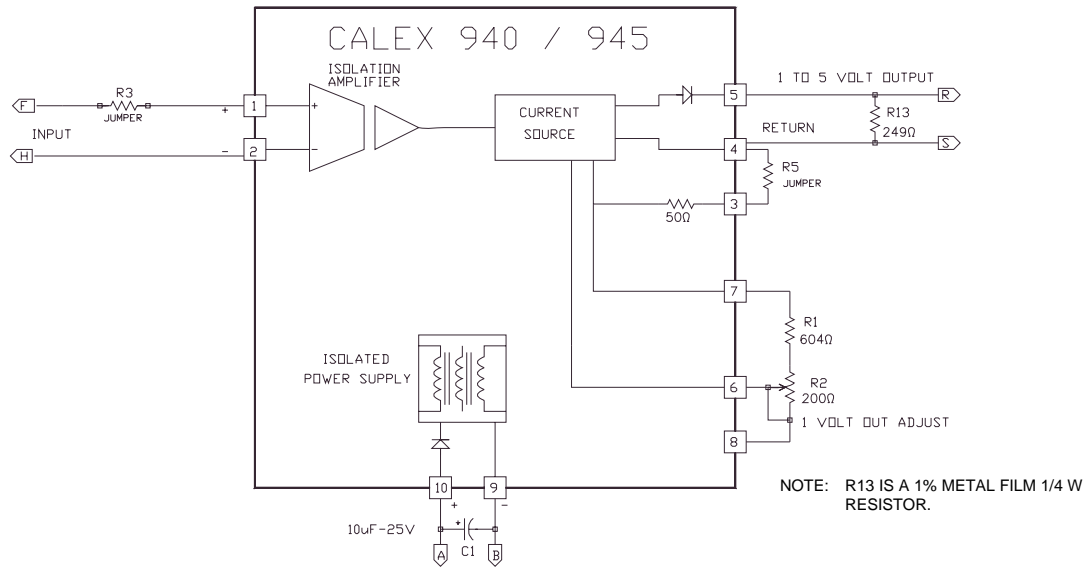


FIGURE 7.

Is similar to Figure 6 except R1 and R2 are used to set 4mA, or 1 Volt at the output with zero Volts input. Also R5 is zero ohms.

MK940 Application Isolated Voltage In - 4 to 20 Volts Out with Single Pole 10Hz Input Filter

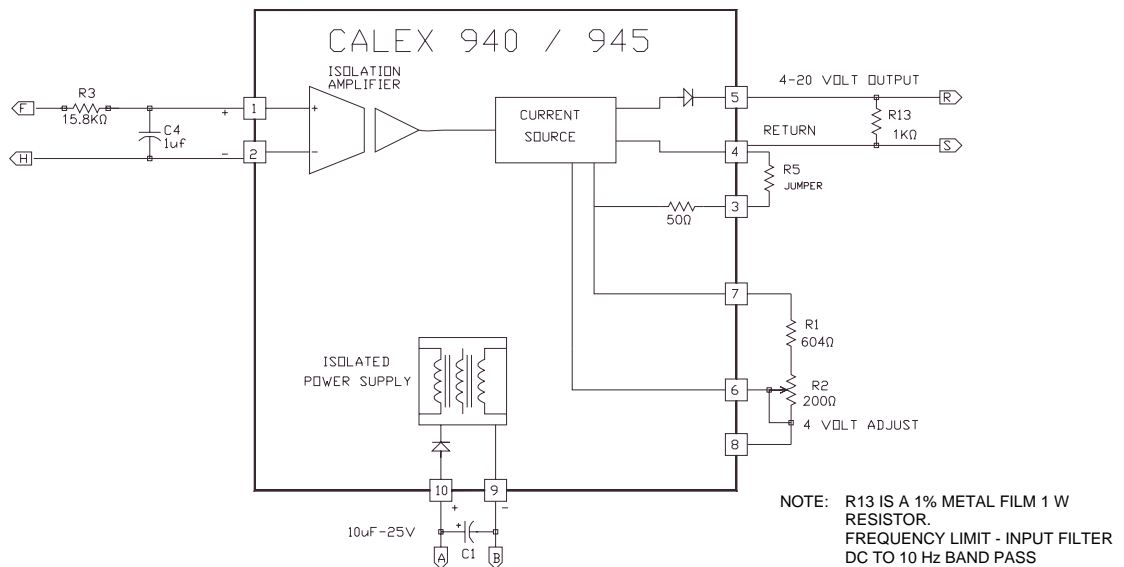


FIGURE 8.

Shows how to add a low pass filter at the input where the 400Hz bandpass may be too high and is causing noise problems. C4 should be a low dielectric absorption capacitor such as a X7R ceramic or a film capacitor. As discussed in Figure 6, R13 is the output source resistance and in this case would produce a 10% error when driving a 10,000 ohm load, and a 0.01% error when loaded by a 10 Megohm input digital voltmeter.