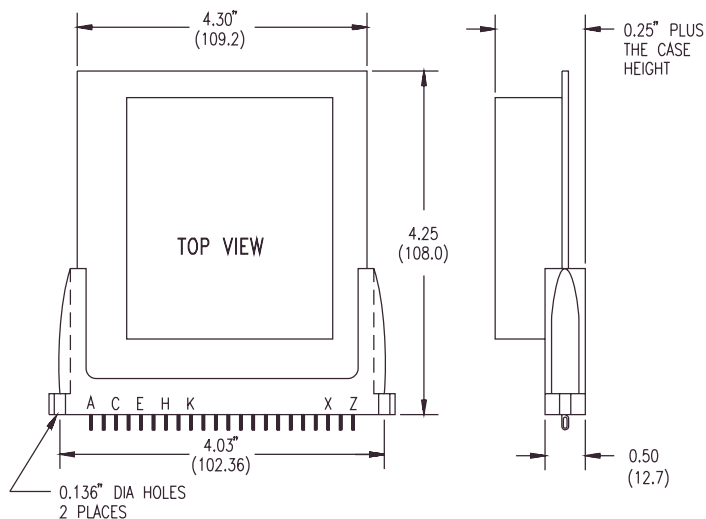


DC/DC Converter Chassis Mounting Kits

MK215-022

12 Watt Single Series

12 Watt Dual Series



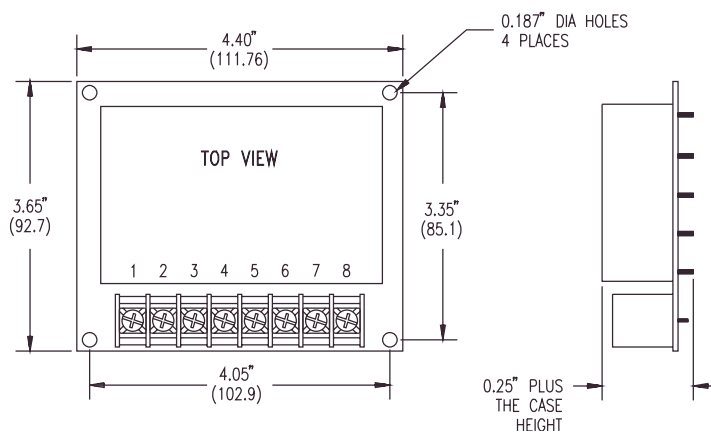
MK215-022 Mounting Kit		
PIN	12 Watt Single	12 Watt Dual
A	OUTPUT CMN	-OUTPUT
E	N/C	OUTPUT CMN
J	KEY	KEY
K	+OUTPUT	+OUTPUT
X	+DC INPUT	+DC INPUT
Z	-DC INPUT	+OUTPUT

N/C - Not Connected

MK215-08BDV

12 Watt Single Series

12 Watt Dual Series



MK215-08BDV Mounting Kit		
Screw Terminal	12 Watt Single	12 Watt Dual
1	-DC INPUT	-DC INPUT
2	+DC INPUT	+DC INPUT
3	N/C	N/C
4	N/C	N/C
5	N/C	N/C
6	+OUTPUT	+OUTPUT
7	N/C	OUTPUT CMN
8	OUTPUT CMN	-OUTPUT

N/C - Not Connected